



DATA SHEET · PRODUCTS & SERVICES

Off-the-shelf internal antenna for DVB-H applications



Fractus specialises in enabling effective mobile communications. Using fractal technology, we design and manufacture optimised antennas to make your wireless devices more competitive. Our mission is to help our clients develop innovative products and accelerate their time to market through our expertise in antenna design, testing and manufacturing.

Fractus® TVNow™ Mobile TV Dual-Band DVB-H (UHF + L Band) Antenna

P/N: FR01-B1-S-0-047

The Fractus TVNow™ is an off-the-shelf internal antenna solution specifically designed for DVB-H applications, covering UHF and L-band requirements.

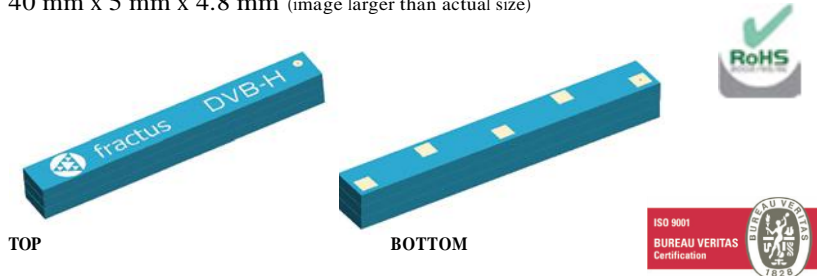
TVNow minimises your product development cost and time. It combines small size and high performance making TVNow an optimal choice for your portable DVB-H applications.

Its electrical and mechanical characteristics ensure design flexibility and optimal performance in devices such as: 2G & 3G enabled mobile phones, DVB-H enabled devices (PDAs, Ultra Mobile PC, Personal Media Player, Secure Digital cards), and many more.

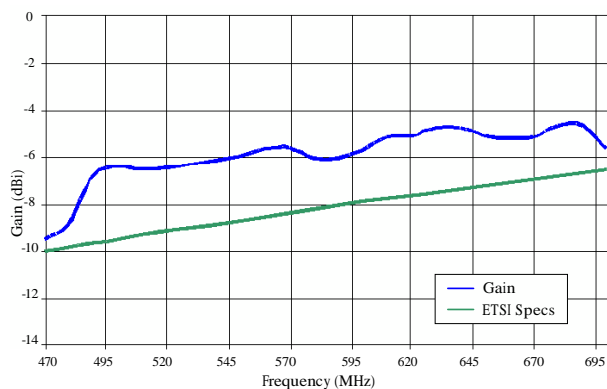
Product Benefits

- Reduced Form Factor
- Modularity - SMD
- Superior Performance
- High Isolation (DVB-H and GSM)
- Accelerated Development Cycle

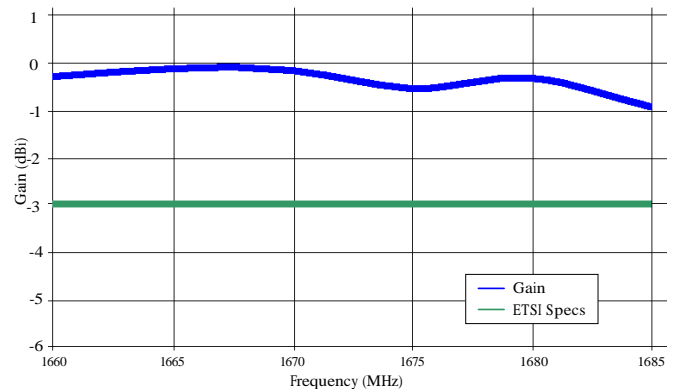
40 mm x 5 mm x 4.8 mm (image larger than actual size)



TVNow™ Performance vs UHF DVB-H Specs



TVNow™ Performance in L US bands



For additional information, please download the user manual from <http://www.fractus.com/main/fractus/documentation> or contact info@fractus.com.



DATA SHEET · PRODUCTS & SERVICES

Off-the-shelf internal antenna for DVB-H applications



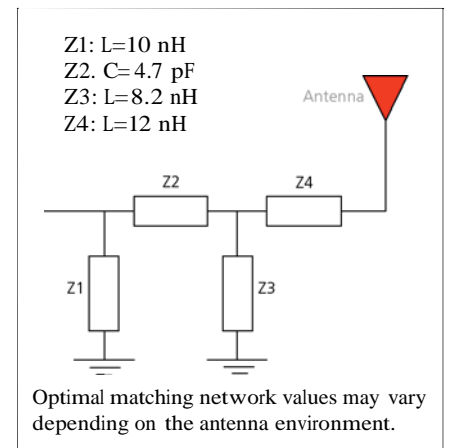
Fractus® TVNow™ Mobile TV Dual-Band DVB-H
(UHF + L Band) Antenna

P/N: FR01-B1-S-0-047

Fractus TVnow™ UHF DVB-H Antenna

Technical Features	
Frequency Range With GSM Coexistence	470 – 698 MHz 1670-1675 MHz
Gain Curve	>2 dB margin with DVB-H recommendations
Radiation Pattern	Omnidirectional
Gain Flatness (horizontal diagram)	±2 dB
Weight	< 2 g
Temperature	-40 to 85° C
Impedance	50 Ω
Dimensions (L x W x H)	40 mm x 5 mm x 4.8 mm

Matching Network Values



Measures from the evaluation board (107 mm x 42.7 mm x 1 mm PCB)
with the 4 elements matching network